

## OVERLAP CORNER BRACKET INSTALLATION & USE

(SHEET 1 OF 1)

### Overlap Corner Bracket Guidelines

- Install the Overlap Bracket on any 90-degree outside corner conditions including wall corners, bulkheads, rectangular columns or pedestals.
- See Figures 1. & 4. for installation sequence
- Overlap w/ 2' panel:
  - 15" max. Without 4" filler/extension
  - 19" max. With 4" filler/extension
  - 3" minimum overlap
- Overlap w/ 3' panel:
  - 27" max. Without 4" filler/extension
  - 31" max. With 4" filler/extension
  - 15" minimum overlap
- Overlap w/ 4' panel:
  - 39" max. Without 4" filler/extension
  - 43" max. With 4" filler/extension
  - 27" minimum overlap
- Make sure the double pegs on the special nut are facing toward the overlap bracket tube and insert into the aligning holes when the tie-rod is tightened. (See Figure 1., Step 3.)
- Overlap corner adjusts in 1" increments
- Attach 4" corner extension with STD. Clamps or Filler Clamps to overlapping panel side to increase wall or column size. (See Figure 2.)
- Maximum pour pressure varies, consult engineering for specific design criteria.

Note: all components must be inspected for cracks, broken welds or any other visible defects prior to each use. Replace all components that are deemed to be unsafe for use.

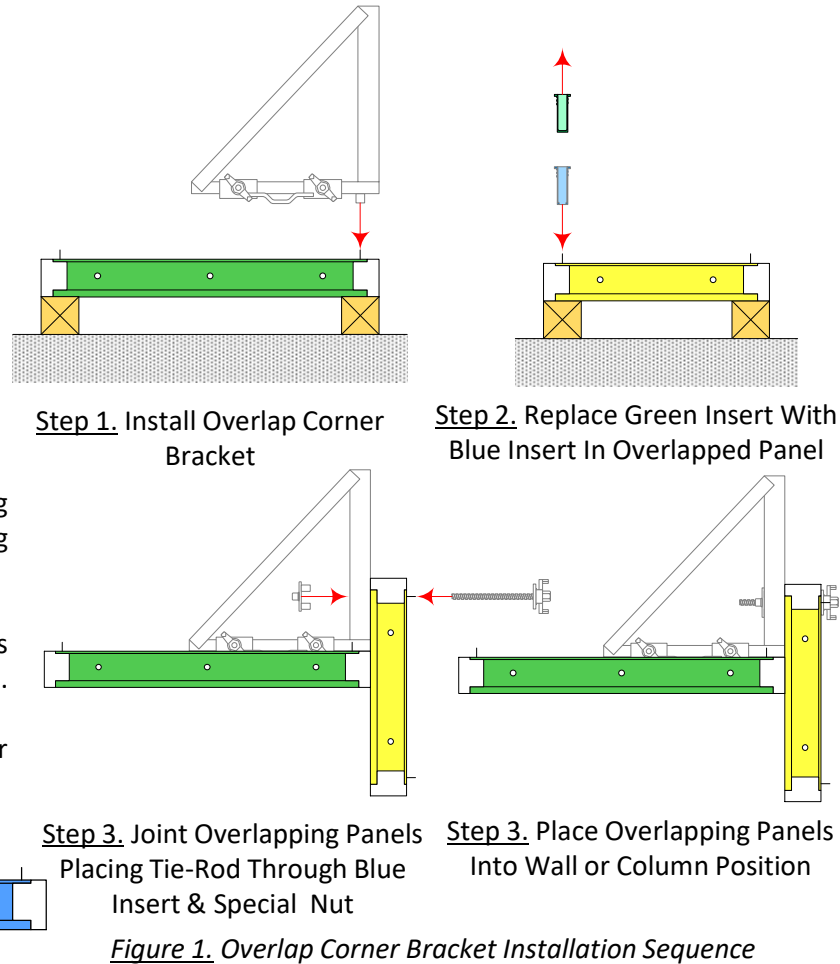


Figure 1. Overlap Corner Bracket Installation Sequence

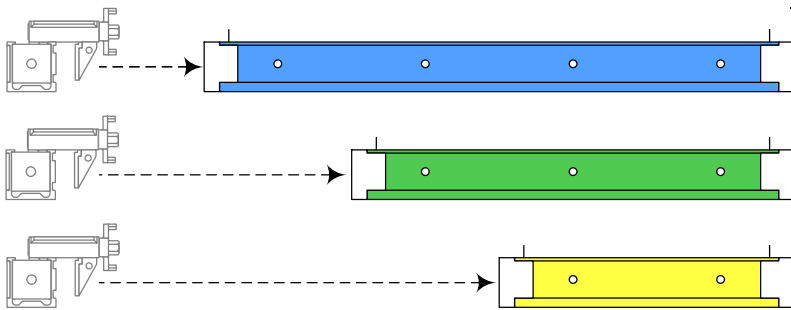


Figure 2. STD. Clamp 4" Filler / Extension To Increase Wall or Column Dimension

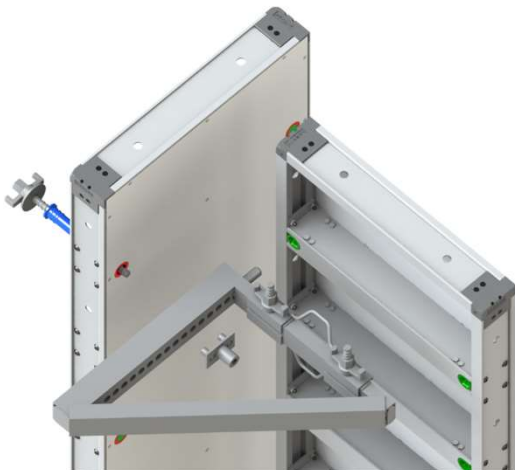


Figure 4. Overlapping Corner Exploded View



Figure 3. Overlapping Panels For Column Condition