

## RING-LOCK POST ADAPTER & SCAFFOLD ACCESS

(SHEET 1 OF 1)

### Scaffold Adapter & Scaffolding Access Guidelines

- Place top Ring-Lock Adapter Assembly (Figure 1) on the top ring of a STD 3.25' Ring-Lock Post and ensure that the tab on the adapter inserts into the 90-degree hole on the post Rosette. This will ensure that the post rings will be aligned correctly with the back side plane of the formwork gang. Place a second adapter assembly 2' below the top adapter. This will allow both adapters to clamp to two individual STD. Panel Inner-Rails
- Attach Post with adapters to the Horizontal or Vertical Rails of the formwork gang at intervals no greater than 10'-0" horizontally and to within one foot to the end of the gangs on either side. To maintain a flat level deck, attach all assemblies to either vertical or horizontal rails. Attaching to both orientations within one run may cause users to provide additional blocking to maintain a level surface.
- Snuggly tighten the wing nuts on both Standard Clamps.
- The top adapter should be 3' to 4' below the top rail of the formwork gang.
- Attach the Ring-Lock Side Brackets and guardrail assembly to the vertical post attached to the formwork gang. See Figure 2 for complete Ring-Lock Side Bracket assembly. Alternatively, a full height scaffold can be erected using additional vertical posts, adjustable posts and horizontals to assemble a complete scaffold along the formwork perimeter.
- Guardrail heights must meet OSHA guidelines & manufacturers recommendations for Ring-lock Scaffolding.
- Attach OSHA approved wood decking capable of spanning between side brackets or Ring-lock compatible steel hook-on planking.
- Always brace or restrain a formwork gang when using cantilevered access of any type (Figure 4).
- Reference the manufacturers recommendations for approved assembly instructions and loadings for the Ring-Lock Components being connected to the Allform System.

Note: all components must be inspected for cracks, broken welds or any other visible defects prior to each use. Replace all components that are deemed to be unsafe for use.

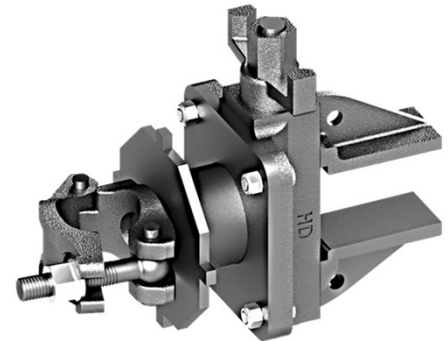


Figure 1. STD. Clamp and Scaffold Bracket Adapter Assembly



Figure 2. Typical Ring-Lock Side Bracket Setup Attached to Allform Panels

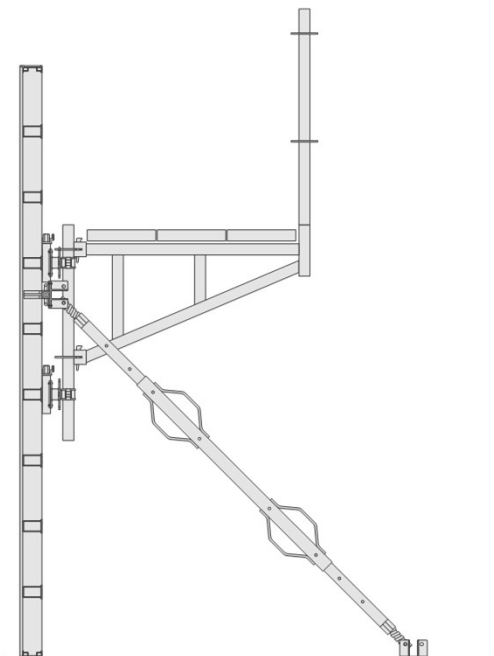


Figure 4. Ring-Lock Side Bracket Assembly attached to STD. Panel Inner Rails with STD. Pipe Bracing



Figure 3. Typical Ring-Lock Side Bracket Setup. Post Adapters, Vertical Post, Side Brackets, Vertical Guardrail Posts, & Ring-Lock Horizontal Guardrails. Use wood planking or steel hook-on plank.