

## STD. CLAMP & STD. CLAMP/TWO-WAY CLIP ASSEMBLY

(SHEET 1 OF 1)

### Standard Clamp Installation Guidelines

- During panel assembly, install Standard Clamps in desired location on the panel side-rail joint, end-rail joint or inner-rail
- Freely spin wing nut and snugly hand tighten
- With a 12" piece of rebar or claw hammer, fully tighten clamp with approx. one-quarter turn (50 ft-lb of torque max.).
- Overtightening clamp could result in damage to panel or clamp. See Figure 1.)

Note: all components must be inspected for cracks, broken welds or any other visible defects prior to each use. Replace all components that are deemed to be unsafe for use.

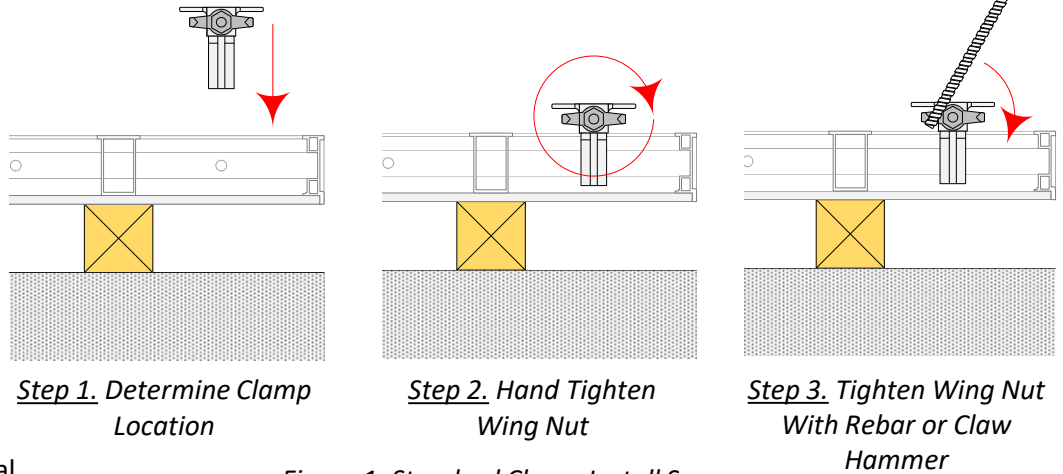


Figure 1. Standard Clamp Install Sequence

### Standard Clamp Use Guidelines

- Install at any vertical or horizontal panel joint
- Placement on vertical joints are generally 6" to 8" inside from panel corners on both top and bottom at all vertical panel joints. Add an additional clamp near the center of the 9' high panel vertical joint. (See Figure 3.)
- Placement on horizontal joints are generally 6" inside from panel corners on both sides of the panel. Add an additional clamp near the center of the 4' wide panel horizontal joint. (See Figure 3.)
- Consult engineering guidelines for clamp placement at outside corners and when building gangs with horizontal panels

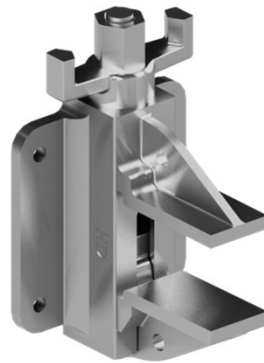


Figure 2. Standard Clamp



Figure 3. Use Standard Clamps At All Vertical Or Horizontal Panel Joints

### STD. Clamp/Two-Way Clip Assembly Guidelines

- Install Standard Clamp/Two-Way Clip assembly for use as a pipe brace head or for any alignment / lifting bar configurations. Reference alignment / lifting bar Safety Rules and Guidelines for more information on all possible configurations. (See Figure 5.)
- This assembly can also duplicate as a panel connection, replacing the standard clamp, when building formwork gangs. (See Figure 5.)

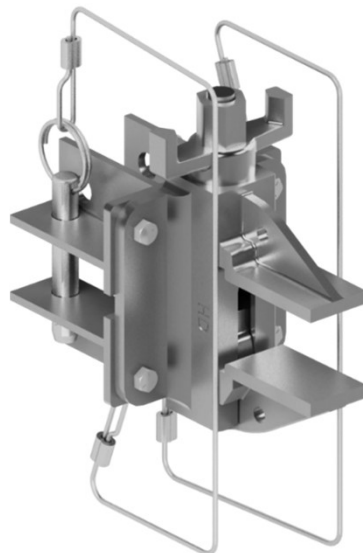


Figure 4. Standard Clamp/Two-Way Clip Assembly

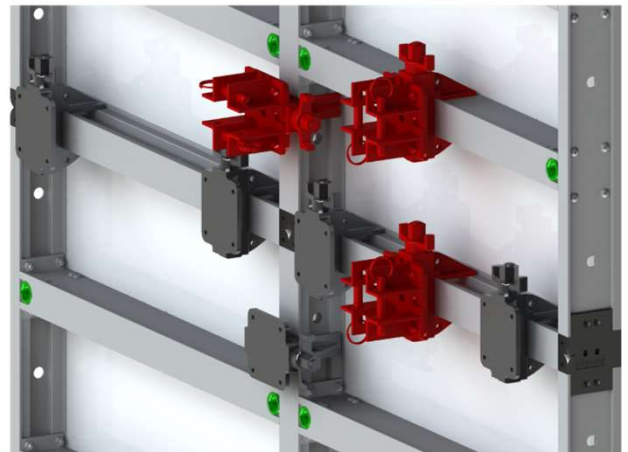


Figure 5. Use The Clamp/Two-Way Clip Assembly At Panel Joints To Replace STD. Clamp Or Place Elsewhere For Accessory Attachment